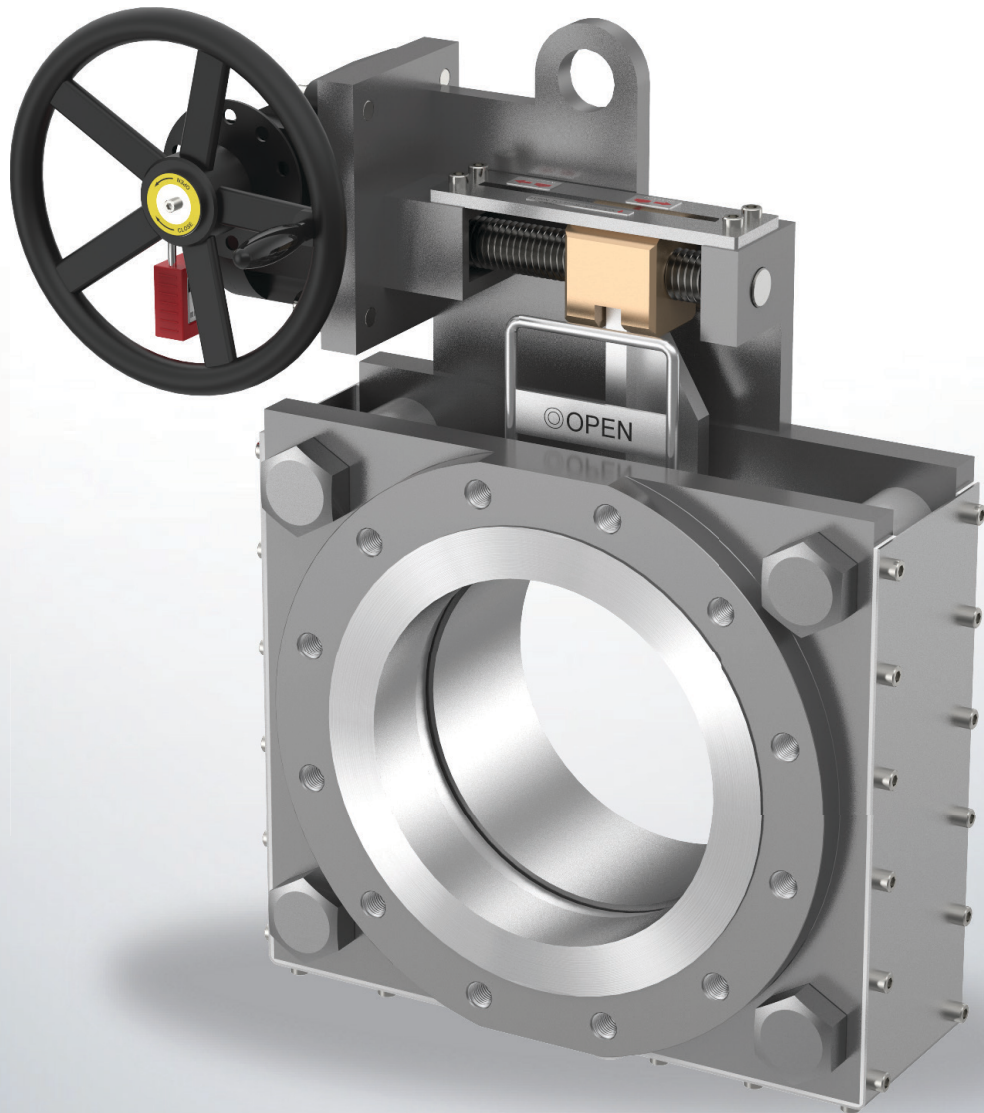


NON-SPILL TYPE

Instruction Catalogue



GENERAL INFORMATION

INSTRUCTION & FEATURES

Non spill type of Line Blind has good advantages in Oil terminal & offshore applications where is limited installation space and marine pollution is strictly prohibited.

The 3 sides covered body & compact design prevents ground pollution and it allows to install at parallel pipe lines.

TECHNICAL SPECIFICATIONS

NOMINAL DIAMETER

NPS 1 (DN25 - NPS100 (DN2500))

PRESSURE RATING

ASME Class 150 to Class 1500

Other pressure classes up to ASME 2500

available upon request

FUNCTION

Gas & Liquid Perfect Isolation(Zero Leakage)

TEMPERATURE RANGE

Standard Design : -20°C ~ +200°C

High Temp. Design : +200°C ~ +816°C

Cryogenic Design : -196°C

MATERIALS

BODY : Carbon Steel, Stainless Steel, Special Material (Duplex, Hastelloy, Monel, Inconel etc.)

BLIND : Stainless Steel, Special Material (Duplex, Hastelloy, Monel, Inconel etc.)

MOVING PARTS & SEALING SURFACE are Anti-corrosion Materials

OPERATION METHOD

Manual Operation

Electric, Pneumatic or Hydraulic Operation

APPLICATIONS

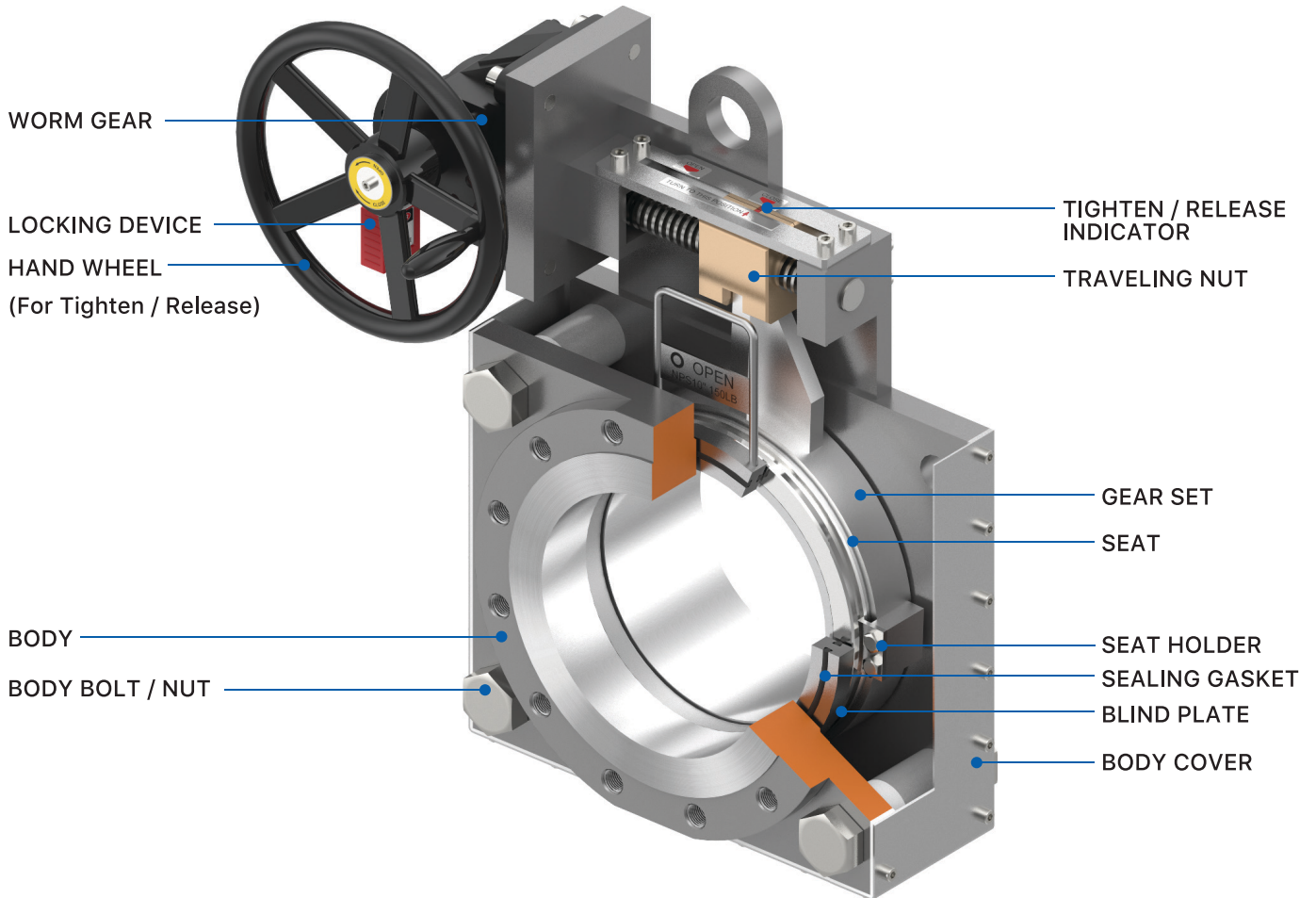
• OIL TERMINAL

- > Oil & Chemical tankfarm
- > Loading Station
- > Pump isolation
- > LNG tank
- > Airport fuel line

• OFFSHORE

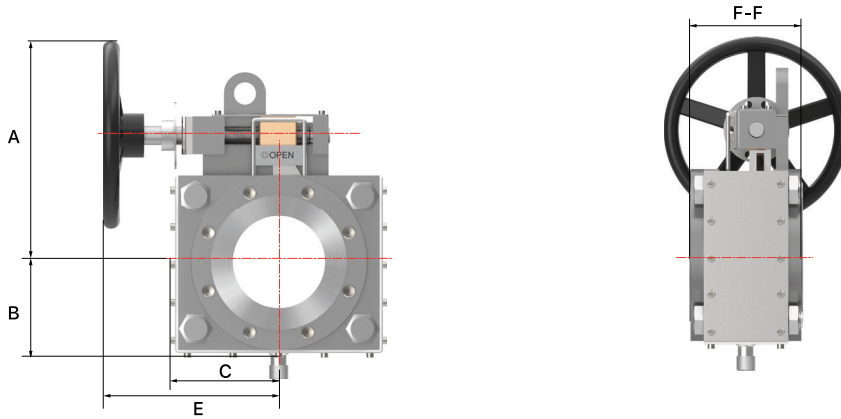
- > FPSO
- > LNG transfer
- > Shipboard lines
- > Vessel inlet
- > Inert Gas system

Part & Description



Part name	CS Body & SS Slide	SS Body & Slide	Optional Material
BODY	Carbon Steel	Stainless Steel	Martensitic or Ferritic Stainless steel Duplex or Super Duplex Low alloy steel
BLIND PLATE	Stainless Steel	Stainless Steel	Nickel & Nickel base alloy
SEAT	Stainless Steel	Stainless Steel	Nickel-Chromium-Iron alloy
GEAR SET	Stainless Steel	Stainless Steel	Chromium-Molybdenum alloy
SCREW SHAFT	Stainless Steel	Stainless Steel	
HEX.BOLT	SA193-B7	SA193-B8	for H2S Service /
HEX.NUT	SA194-2H	SA194-8	for Low Temp.
BLIND SEAL RING	Selection	Selection	Selection
SEAT SEAL RING	Selection	Selection	Selection
WIPER	PTFE / GRAPHITE	PTFE / GRAPHITE	PTFE / GRAPHITE
LOCKING DEVICE	P	P	-

Dimensions

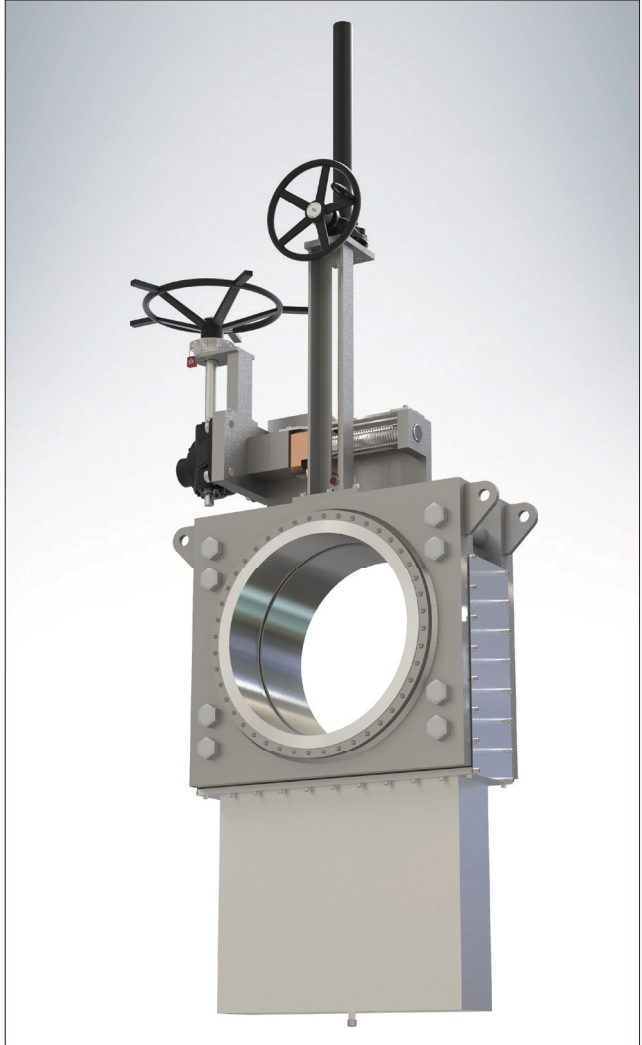
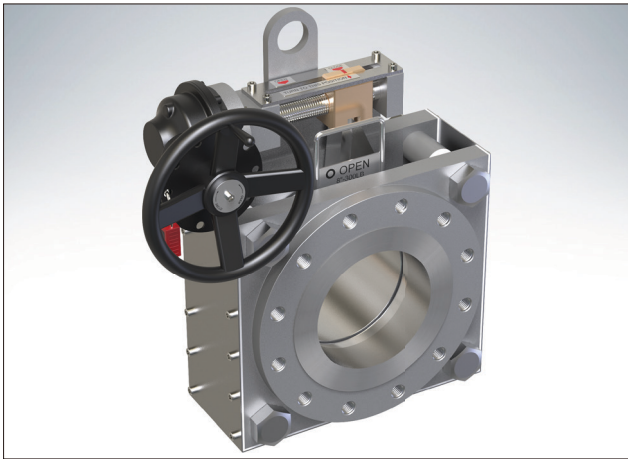


Class 150

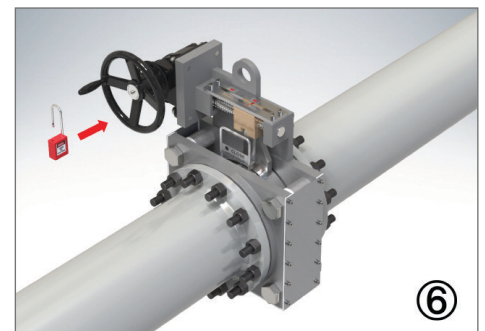
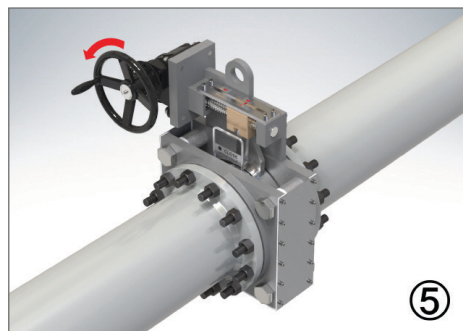
Size		F-F	A	B	C	E	kg
inch	DN						Weight(NET)
1	25	110	175	117	75	160	10
2	50	130	235	128	101	190	25
3	80	150	275	148	121	220	35
4	100	150	276	142	130	217	46
6	150	190	350	173	173	325	85
8	200	200	463	205	204	329	130
10	250	214	500	238	238	356.2	250
12	300	229	543	275	277	435.5	350
14	350	260	612	303	280	458	500
16	400	300	691	338	330	452.8	650
18	450	320	768	357	350	559	800
20	500	360	885	422	410	640	1100
24	600	400	990	492	472.5	693	1800

Class 300

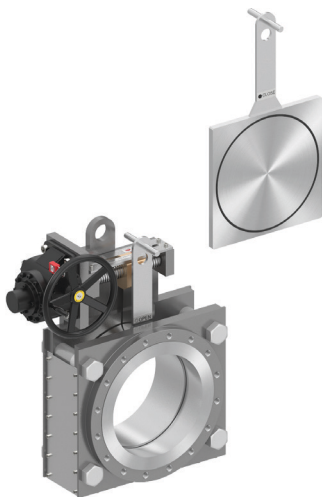
Size		F-F	A	B	C	E	kg
inch	DN						Weight(NET)
1	25	120	167.5	93	101.5	217	10
2	50	140	224.5	120	125.5	263.5	30
3	80	170	277	129.5	157.5	304	45
4	100	160	324	185	146	240	63
6	150	195	375	209	183	260	120
8	200	220	415.5	239	218	345.5	180
10	250	250	526	271.5	255.5	389	285
12	300	250	579	300	300	450	400
14	350	280	623	331.5	332	462	650
16	400	340	640	370	374	500.5	700
18	450	360	805	412	395	604	950
20	500	400	856	443	447	635	1500
24	600	420	937	512	493	692	2200



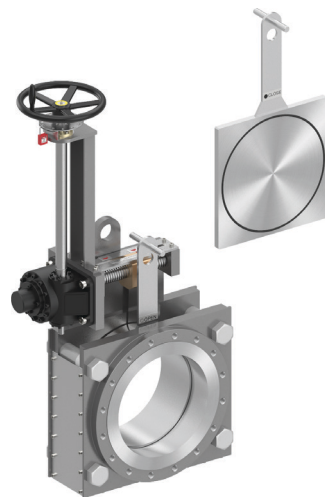
Operating Instruction



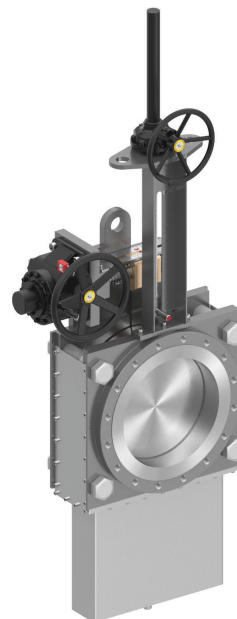
- 1). Before turning the handwheel to change the blind plate position, internal pressure of the valve must be drained and be sure no pressure(Zero).
- 2). Unlock locking device for turn to handwheel
- 3). To change the blind plate position, turn the handwheel clockwise until indicator reaches to "Open" mark.
- 4). When indicator is on "open" mark, change the blind plate position to open or close.
- 5). After change the blind plate position, turn the handwheel counter-clockwise until indicator reaches to "Close" mark to tighten the seat.
- 6). Lock locking device for can't use ahourized person



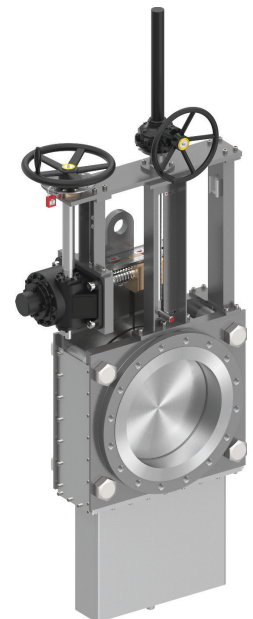
Type A



Type B

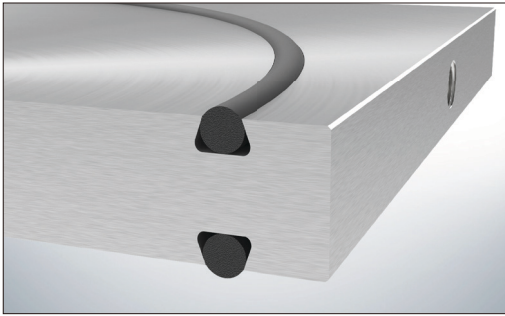


Type C



Type D

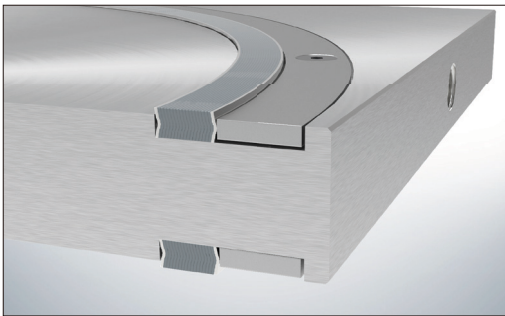
Sealing Material Guide



ELASTOMER O-RING

FKM
FFKM
FVMQ
Viton®
EPDM
NBR

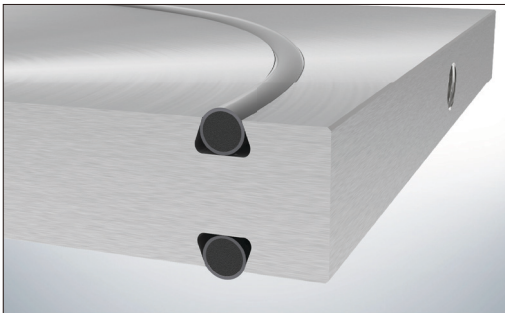
International Standard
Long durability
Excellent gas tightness
Easy to purchase
Selection depend on chemical resistance



SPIRAL WOUND GASKET

Graphite mold
Spiral wound

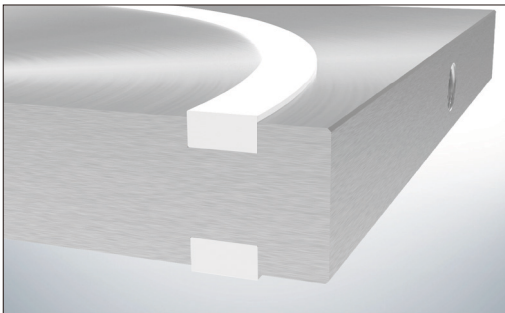
High temperature service
Cryogenic service
Excellent chemical resistance
Easy to purchase



TEFLON ENCAPSULATED O-RING

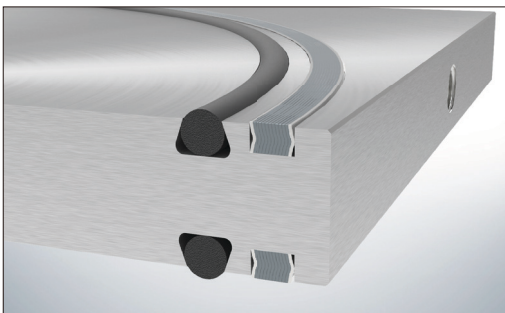
PFAV / FEPV / PFAS

International Standard
Excellent chemical resistance with teflon tube
Retaining elasticity with core o-ring
Excellent gas tightness
Long durability
Easy to purchase



PTFE GASKET

Excellent chemical resistance
Excellent tightness
Long durability
Easy to purchase



FIRE SAFE GASKET

Spiral wound
O-ring

Primary sealing with elastic o-ring
Secondary sealing with spiral wound gasket
Excellent gas tightness
Long durability
Easy to purchase

